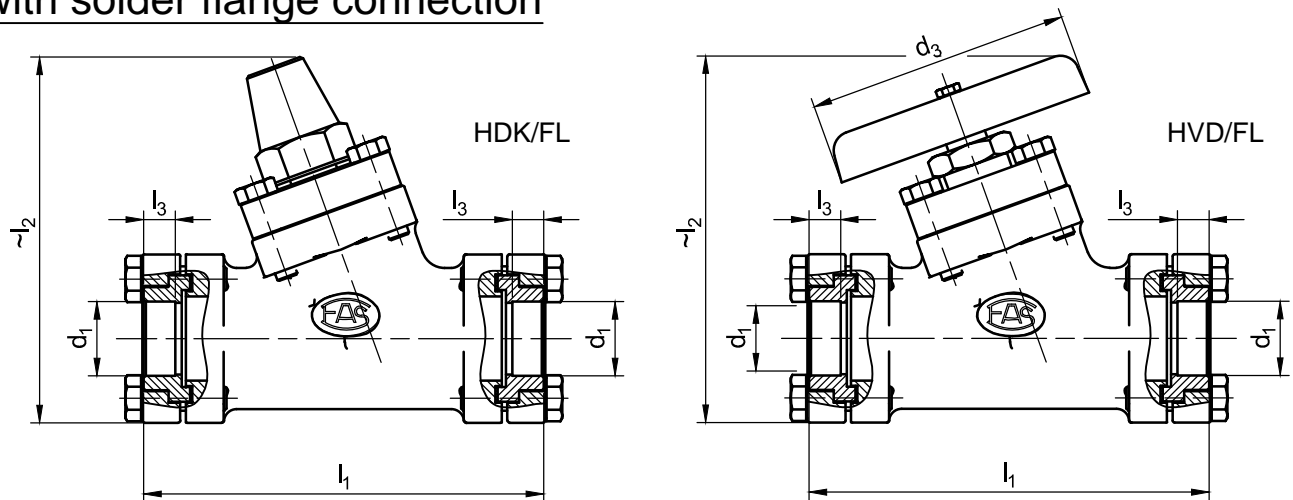


Gußabsperrenteil (Durchgang) mit Lötflanschanschluss

Cast Iron Shutoff Valve (connecting passage)

with solder flange connection



| Order Number | FAS-Typ | d ₁ | d ₃ | l ₁ | ~l ₂ | l ₃ | Kv m ³ /h |
|--------------|-------------|----------------|----------------|----------------|-----------------|----------------|----------------------|
| 804 304 000 | HDK15/12 FL | 12 | - | 101 | 110 | 12 | 3,0 |
| 804 306 000 | HDK15/15 FL | 15 | - | 101 | 110 | 12 | 3,3 |
| 804 307 000 | HDK15/16 FL | 16 | - | 101 | 110 | 12 | 3,3 |
| 804 308 000 | HDK25/18 FL | 18 | - | 124 | 140 | 15 | 9,7 |
| 804 300 000 | HDK25/22 FL | 22 | - | 124 | 140 | 15 | 9,7 |
| 804 311 000 | HDK28 FL | 28 | - | 124 | 140 | 15 | 9,7 |
| 804 313 000 | HDK35 FL | 35 | - | 192 | 210 | 15 | 31,0 |
| 804 314 000 | HDK42 FL | 42 | - | 192 | 210 | 15 | 35,0 |
| 804 315 000 | HDK54 FL | 54 | - | 194 | 225 | 15 | 44,0 |
| 804 316 000 | HDK64/64 FL | 64 | - | 218 | 250 | 15 | 62,0 |
| 804 318 000 | HDK64/70 FL | 70 | - | 218 | 250 | 15 | 62,0 |
| 804 319 000 | HDK80/76 FL | 76 | - | 274 | 320 | 15 | 91,0 |
| 804 320 000 | HDK80/80 FL | 80 | - | 274 | 320 | 15 | 91,0 |
| 804 404 000 | HVD15/12 FL | 12 | 59 | 101 | 100 | 12 | 3,0 |
| 804 406 000 | HVD15/15 FL | 15 | 59 | 101 | 100 | 12 | 3,3 |
| 804 407 000 | HVD15/16 FL | 16 | 59 | 101 | 100 | 12 | 3,3 |
| 804 408 000 | HVD25/18 FL | 18 | 85 | 124 | 130 | 15 | 9,7 |
| 804 400 000 | HVD25/22 FL | 22 | 85 | 124 | 130 | 15 | 9,7 |
| 804 411 000 | HVD28 FL | 28 | 85 | 124 | 130 | 15 | 9,7 |
| 804 413 000 | HVD35 FL | 35 | 140 | 192 | 200 | 15 | 31,0 |
| 804 414 000 | HVD42 FL | 42 | 140 | 192 | 200 | 15 | 35,0 |
| 804 415 000 | HVD54 FL | 54 | 140 | 194 | 215 | 15 | 44,0 |
| 804 416 000 | HVD64/64 FL | 64 | 180 | 218 | 240 | 15 | 62,0 |
| 804 418 000 | HVD64/70 FL | 70 | 180 | 218 | 240 | 15 | 62,0 |
| 804 419 000 | HVD80/76 FL | 76 | 200 | 274 | 310 | 15 | 91,0 |
| 804 420 000 | HVD80/80 FL | 80 | 200 | 274 | 310 | 15 | 91,0 |

Reparatursatz erhältlich
repair set available

Dichtungssatz erhältlich
gasket set available

Kv-Wert (Wasserdurchfluss bei einer Druckdifferenz von 1 bar)
Kv-value (water flow with a difference of pressure of 1 bar)