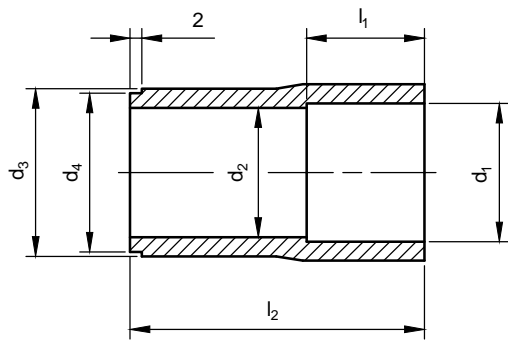
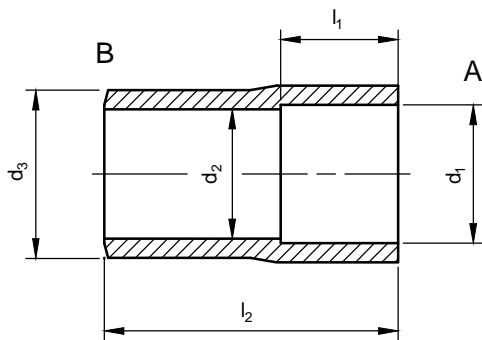


Schweiß- und Lötstutzen - Welding and Solder Bush



Material: S235JRG2
 Gegenseite verkupfert
 opposite side copper coated

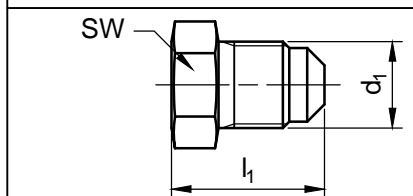
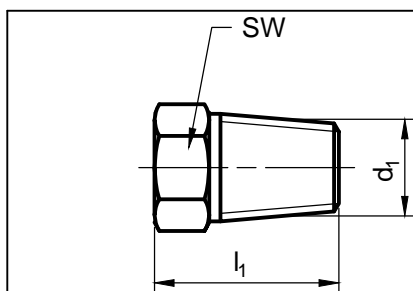
Order Number	FAS-Typ	d ₁	d ₂	d ₃	d ₄	l ₁	l ₂
871 506 000	RSL28	28	25	32	27	20	60
871 507 000	RSL35	35	40	47	44	25	60
871 508 000	RSL42	42		48			
871 509 000	RSL54	54	52	60	56	30	70
871 510 000	RSL64	64	62	70	69	35	80
871 511 000	RSL70	70	67	46	69	35	80
871 512 000	RSL76	76	75	85	84	40	90
871 513 000	RSL80	80	80	89	88	40	90



Material: S235JRG2
 Gegenseite verkupfert
 opposite side copper coated

Order Number	FAS-Typ A/B	d ₁	d ₂	d ₃	l ₁	l ₂
871 601 000	RSLY12/14	12	10	14	10	35
871 602 000	RSLY15/18	15	14	18	12	45
871 603 000	RSLY16/18	16				
871 604 000	RSLY18/22	18	18	22	14	48
871 605 000	RSLY22/28	22	24,5	28	15	50
871 606 000	RSLY28/30	28	25	32	20	60
871 607 000	RSLY35/46	35	40	47	25	60
871 608 000	RSLY42/48	42		48		
871 609 000	RSLY54/60	54	52	60	30	70
871 610 000	RSLY64/74	64	62	74	35	80
871 611 000	RSLY70/76	70	67	76	35	80
871 612 000	RSLY76/85	76	75	85	40	90
871 613 000	RSLY80/88	80	80	89	40	90

Messing-Verschlußstopfen - Pipe Plug of brass



Order Number	FAS Typ	d ₁	l ₁	SW
590 700 001	S1/8 NPT	1/8-27 NPTF	18,5	13
590 701 001	S1/4 NPT	1/4-18 NPTF	23,5	14
590 702 001	S3/8 NPT	3/8-18 NPTF	25	19
590 703 001	S1/2 NPT	1/2-14 NPTF	32	24
590 704 001	S3/4 NPT	3/4-14 NPTF	35	30
590 705 001	-	3/4-14 NPTF	31	22
590 706 001	S1 NPT	1-11,5 NPTF	36	32
871 301 000	S6	7/16-20 UNF	19,5	14
871 302 000	S10	5/8-18 UNF	23,5	17
871 303 000	S12	3/4-16 UNF	26,5	22
871 304 000	S15	7/8-14 UNF	28	24