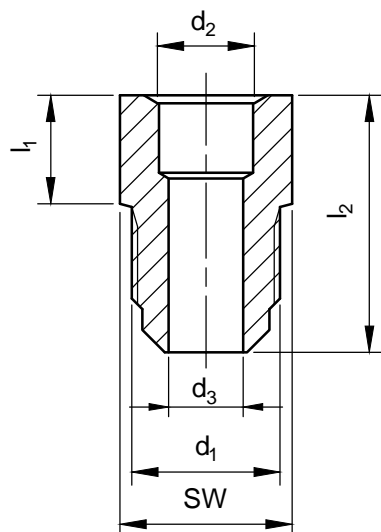


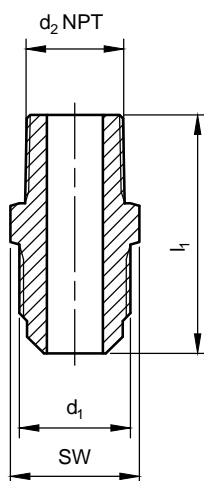
Lötstutzen - Soldered bush



Order Number	FAS Typ	d ₁	d ₂	d ₃	l ₁	l ₂	SW
871 111 000	LS6	7/16-20 UNF	6,2	4	7	25	14
871 112 000	LS10	5/8-18 UNF	10,2	7	9	30	17
871 113 000	LS12	3/4-16 UNF	12,2	10	10	35	22
871 114 000	LS15	7/8-14 UNF	15,2	13	12	39	24
871 115 000	LS16	7/8-14 UNF	16,2	13	12	39	24
871 116 000	LS18	1 1/16-14 UNS	18,2	15	14	46	27
871 117 000	LS22	1 1/4-12 UNF	22,2	18	17	49	32

Material: CuZn39Pb3 (gefertigt aus Stangenmaterial)
 (made by rod material)

Nippel mit NPT-Gewinde - Nipple with NPT-thread

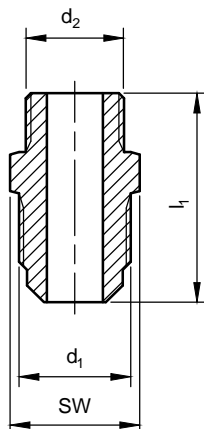


Order Number	FAS Typ	d ₁	d ₂	l ₁	SW
872 001 000	N6 / 1/8 NPT	7/16-20 UNF	1/8-27 NPTF	29,5	12
872 002 000	N6 / 1/4 NPT	7/16-20 UNF	1/4-18 NPTF	33,5	14
872 002 500	N10 / 1/8 NPT	5/8-18 UNF	1/8-27 NPTF	34,5	17
872 003 000	N10 / 1/4 NPT	5/8-18 UNF	1/4-18 NPTF	36,5	17
872 004 000	N10 / 3/8 NPT	5/8-18 UNF	3/8-18 NPTF	37,5	19
872 005 000	N10 / 1/2 NPT	5/8-18 UNF	1/2-14 NPTF	40,5	24
872 006 000	N12 / 3/8 NPT	3/4-16 UNF	3/8-18 NPTF	40,5	22
872 007 000	N12 / 1/2 NPT	3/4-16 UNF	1/2-14 NPTF	43	24
872 008 000	N15 / 1/2 NPT	7/8-14 UNF	1/2-14 NPTF	46	24

Material: CuZn39Pb3 (gefertigt aus Stangenmaterial)
 (made by rod material)

Nippel mit Rohrgewinde und Kupferdichtung

Nipple with tube thread and copper gasket



Order Number	FAS Typ	d ₁	d ₂	l ₁	SW
872 101 000	N6 / G1/4	7/16-20 UNF	G1/4	27,5	17
872 102 000	N10 / G1/4	5/8-18 UNF	G1/4	30,5	17
872 103 000	N10 / G3/8	5/8-18 UNF	G3/8	33,5	22
872 104 000	N12 / G3/8	3/4-16 UNF	G3/8	35,5	22
872 105 000	N10 / G1/2	5/8-18 UNF	G1/2	36,5	27
872 106 000	N12 / G1/2	3/4-16 UNF	G1/2	38,5	27
872 106 500	N12 / G1/2	G1/2	G1/2	42	22
872 107 000	N15 / G1/2	7/8-14 UNF	G1/2	40	27
872 108 000	N15 / G3/4	7/8-14 UNF	G3/4	54	32
872 109 000	N18 / G3/4	1 1/16-14 UNS	G3/4	48	32

Material: CuZn39Pb3 (gefertigt aus Stangenmaterial)
 (made by rod material)