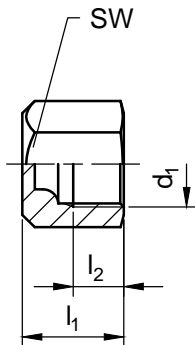
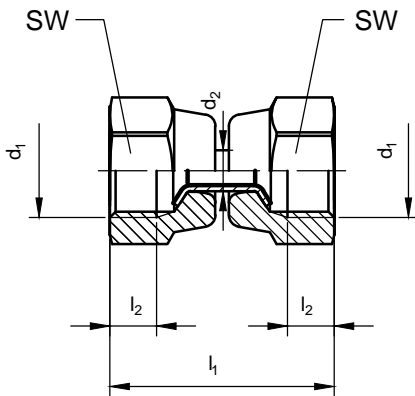


Blindmuttern - Blind Nut



Order Number	FAS Typ	d ₁	l ₁	l ₂	SW
503 000 004	M6	7/16-20 UNF	13	6,5	14
549 050 004	M10	5/8-18 UNF	19	9	22
870 123 000	M12	3/4-16 UNF	19	12	24
870 124 000	M15	7/8-14 UNF	20	13	27
870 126 000	M18	1 1/16-14 UNS	26	17	36
870 120 000	M22	1 1/4-12 UNF	28	19	41

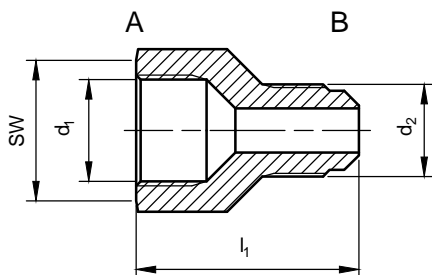
Material: CuZn39Pb3 (gefertigt aus Stangenmaterial)
 (made by rod material)



Order Number	FAS Typ	d ₁	d ₂	l ₁	l ₂	SW
870 301 000	DM6	7/16-20 UNF	4	31	6,5	14
870 302 000	DM10	5/8-18 UNF	8	39	9	22
870 303 000	DM12	3/4-16 UNF	10	42	12	24
870 304 000	DM15	7/8-14 UNF	14	44	13	27

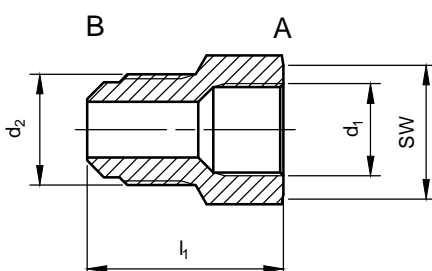
Material: CuZn39Pb3 (gefertigt aus Stangenmaterial)
 (made by rod material)

Reduziermuttern - Reducing Nut



Order Number	FAS Typ A/B	d ₁	d ₂	l ₁	SW
870 701 000	RM10/16	5/8-18 UNF	7/16-20 UNF	37,5	22
870 702 000	RM12/6	3/4-16 UNF	7/16-20 UNF	36	24
870 703 000	RM12/10	3/4-16 UNF	5/8-18 UNF	38	24
870 704 000	RM15/12	7/8-14 UNF	3/4-16 UNF	43	27

Material: CuZn39Pb3 (gefertigt aus Stangenmaterial)
 (made by rod material)



Order Number	FAS Typ A/B	d ₁	d ₂	l ₁	SW
870 705 000	RM6/10	7/16-20 UNF	5/8-18 UNF	28,5	17
870 706 000	RM10/12	5/8-18 UNF	3/4-16 UNF	33,5	22
870 707 000	RM12/15	3/4-16 UNF	7/8-14 UNF	39	24

Material: CuZn39Pb3 (gefertigt aus Stangenmaterial)
 (made by rod material)