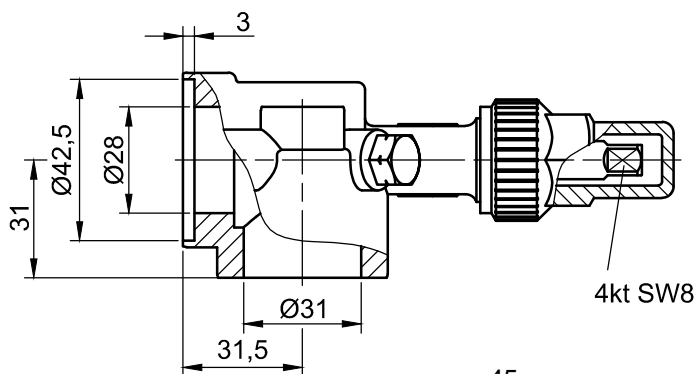
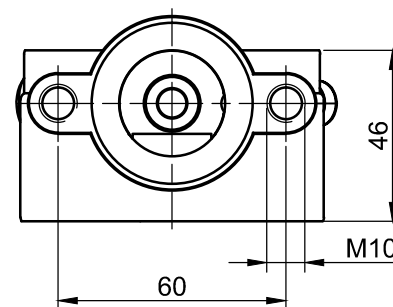


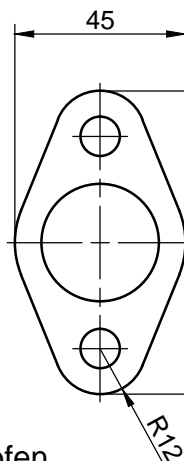
Aluminium-Kompressorventil Aluminium Compressor Valve



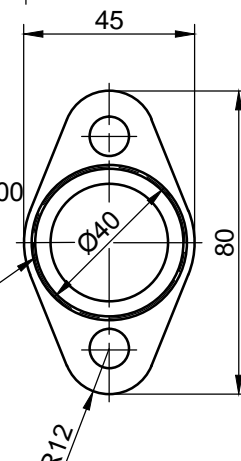
Ansicht: Flanschanschluß
 view: flange connection



Ansicht: Flanschanschluß
 ausschließlich Ausführung 250 007 000
 view: flange connection
 exclusive version 250 007 000



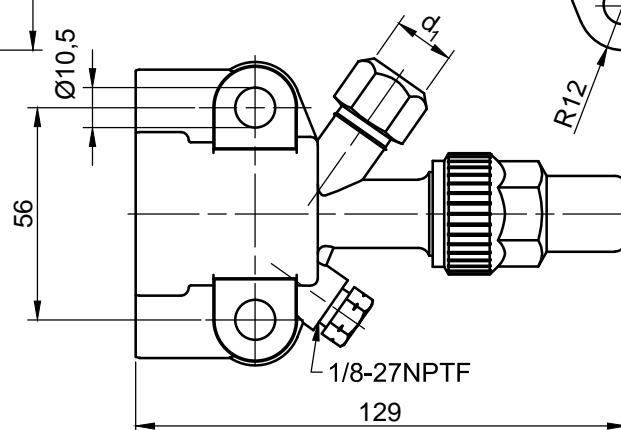
Dichtrille
 closely-groove



Standardausführung standard version

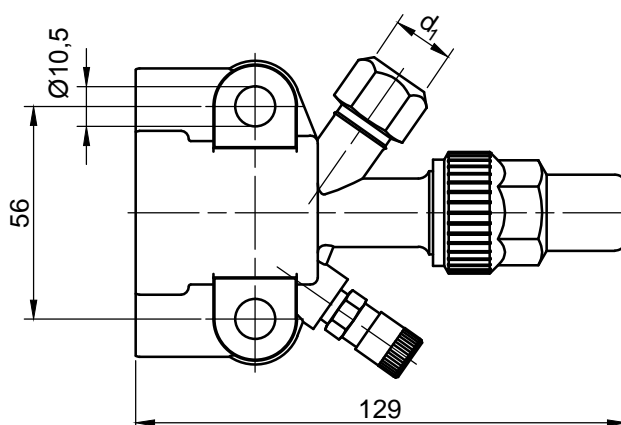
Alu-Kompressorventil mit Stopfen Aluminium Compressor Valve with plugs

| Order Number | d ₁ | Kv m ³ /h |
|--------------|----------------|-------------------------|
| 250 003 000 | 5/8-18 UNF | 22,0 |
| 250 004 000 | 7/16-20 UNF-2B | |
| 250 007 000 | 7/16-20 UNF-2B | |



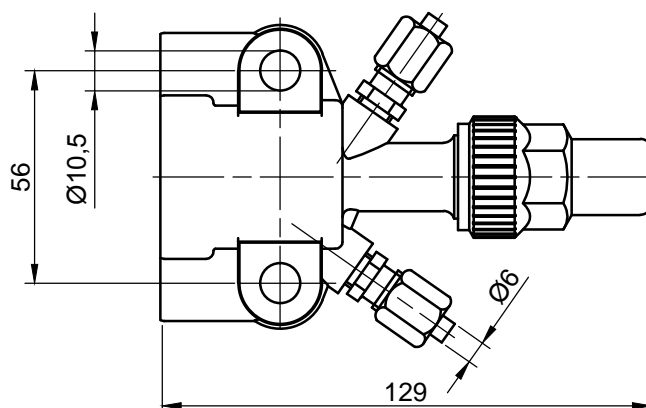
Alu-Kompressorventil mit Schraderventil Aluminium Compressor Valve with "Schrader" Valve

| Order Number | d ₁ | Kv m ³ /h |
|--------------|----------------|-------------------------|
| 250 005 000 | 5/8-18 UNF | 22,0 |
| 250 006 000 | 7/16-20 UNF-2B | |



NH₃-Spezialausführung NH₃-special version

| Order Number | Kv m ³ /h |
|--------------|-------------------------|
| 250 002 000 | 22,0 |



Kv-Wert (Wasserdurchfluss bei einer Druckdifferenz von 1 bar)
 Kv-value (water flow with a difference of pressure of 1 bar)