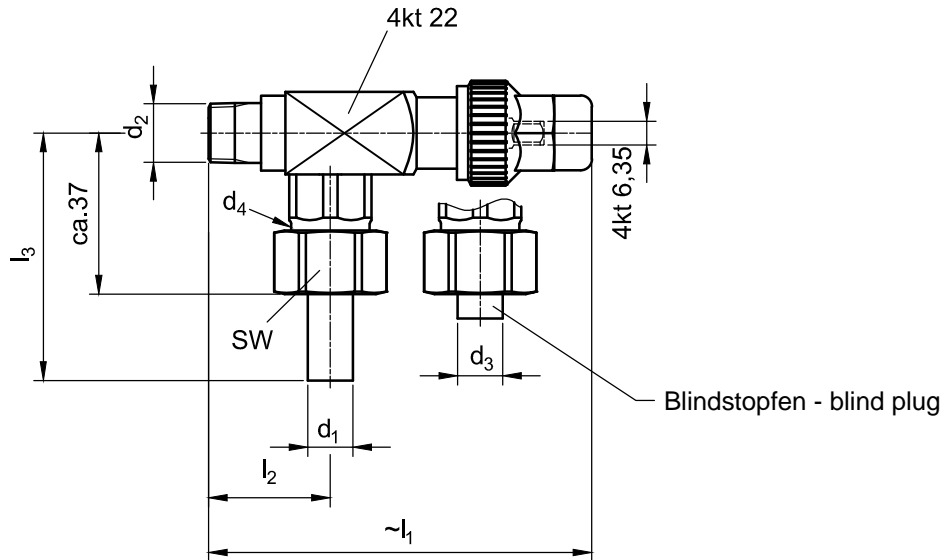


NH₃-Eckventil mit Einschraub- und Schweißanschluss
NH₃-Angle Valve with screw-in and welding connection



Oberfläche Sn surface Sn

| Order Number | d ₁ | d ₂ | d ₃ | d ₄ | ~l ₁ | l ₂ | l ₃ | SW | Kv m ³ /h |
|--------------|----------------|----------------|----------------|----------------|-----------------|----------------|----------------|-----|-------------------------|
| 543 022 000 | 12 | M16x1,5 k | - | G1/2" | 100,5 | 32 | 66 | 27 | 2,35 |
| 543 023 000 | - | | 12 | | | | - | | |
| 543 024 000 | 12 | M22x1,5 k | - | G1/2" | | | 66 | 4,0 | |
| 543 025 000 | - | | 12 | | | | - | | |
| 543 028 000 | 18 | | - | G3/4" | | | 64 | 32 | |
| 543 029 000 | - | | 18 | | | | - | | |
| 543 032 000 | 12 | R1/4 k | - | G1/2" | 108,5 | 41 | 66 | 27 | 1,6 |

Kv-Wert (Wasserdurchfluss bei einer Druckdifferenz von 1 bar)

Kv-value (water flow with a difference of pressure of 1 bar)